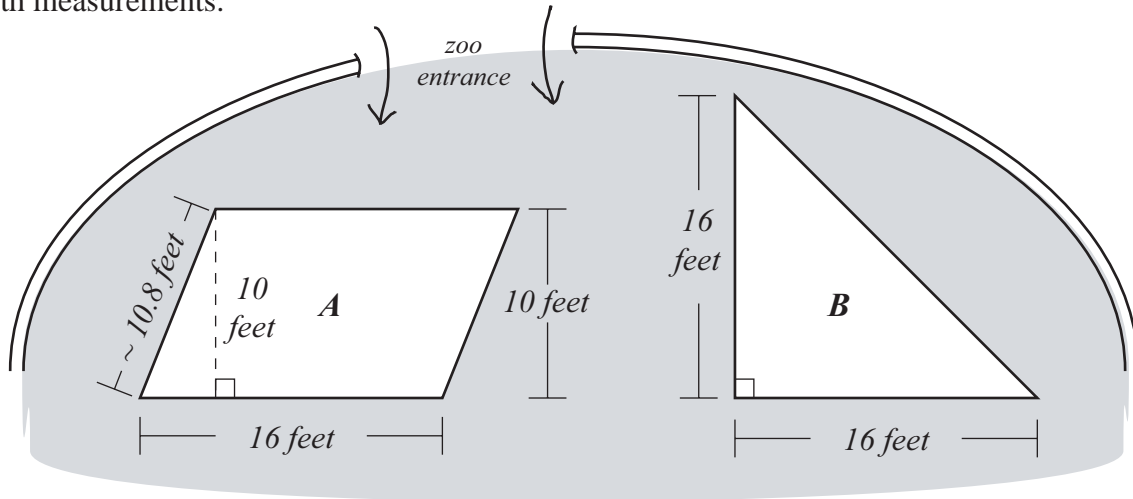


COUNTDOWN ACTIVITY

The Lickity-Split Ice Cream Stand Easy

The local zoo has opened a new food court. A diagram of the food court is shown below. Each space (A, B) is labeled with measurements.



Lickity-Split wants to rent a space to sell ice cream. The zoo charges \$20 for each square foot of space. Which space (A or B) would cost Lickity-Split the least amount of money to rent each year?

Use words, symbols or diagrams to solve the problem. Also, explain in words the steps you took to solve the problem and why you took those steps.

1. What do you see? (Spaces A & B)
2. Do you think they are both the same size? Trace over each polygon so you do not get confused with numbers and dotted lines.
3. Tell me about Space A.
 - What type of polygon is it? What different names can you call it? (quadrilateral, parallelogram...)
 - What is the length of the base? (16 feet)
 - What is the height? (10 feet)
 - How do I know that the area is 160 square feet? ($a = b \times h$)
4. Tell me about Shape B.
5. Which polygon is smaller? Larger?
6. Read the question.
7. What is the answer to the question?

First I looked at the picture **because** _____

Second I traced over each of the polygons **because** _____

Third, I examined each polygon **because** _____

Next, I read the question **because** _____

I chose _____ **because** _____

Finally, I checked my work and labeled my answer **because** I wanted to get all 12 points on this answer.