

COUNTDOWN Challenge

Surface Area & Volume

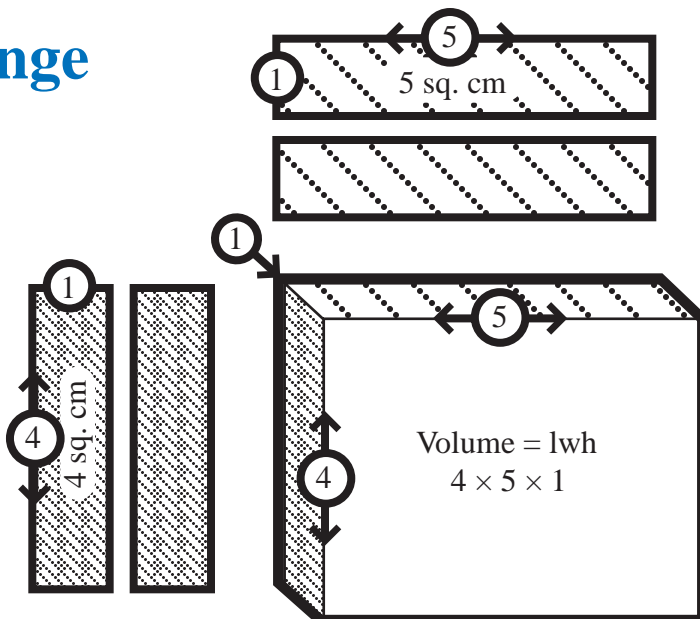
Decomposing Rectangular Solids

The rectangular solid on the right is decomposed to illustrate the formulas for volume and surface area:

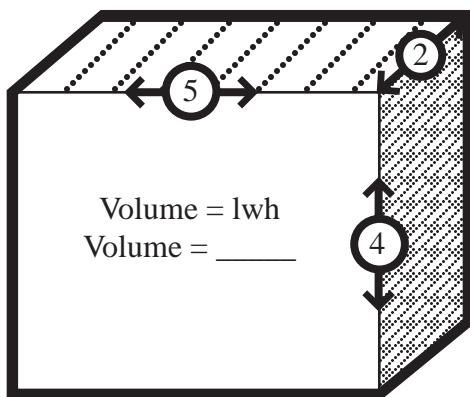
Surface Area = $2(lw) + 2(lh) + 2(wh)$
 Surface Area = $2(20) + 2(5) + 2(4) = 58$

Volume = lwh
 Volume = $4 \times 5 \times 1 = 20$

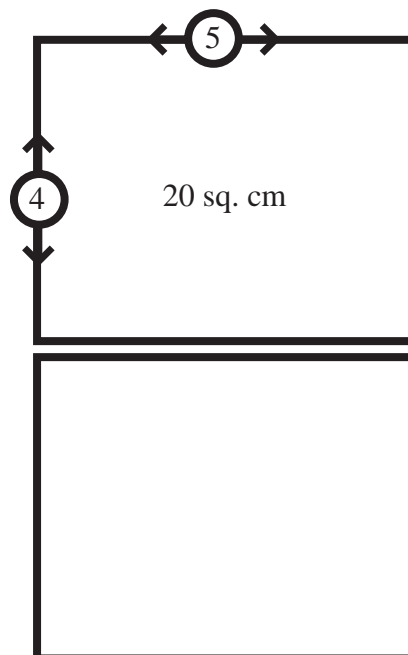
Use these formulas to calculate the volume and surface area of the rectangular solids pictured below.



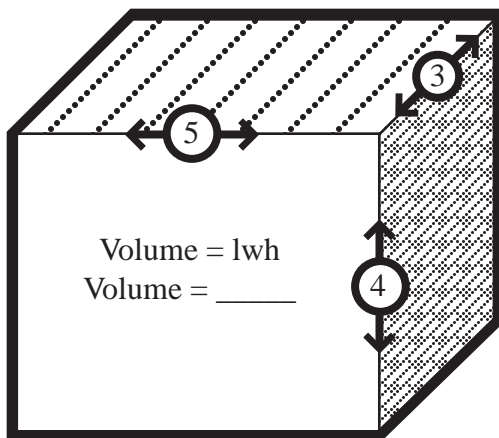
A.



Surface area = ____

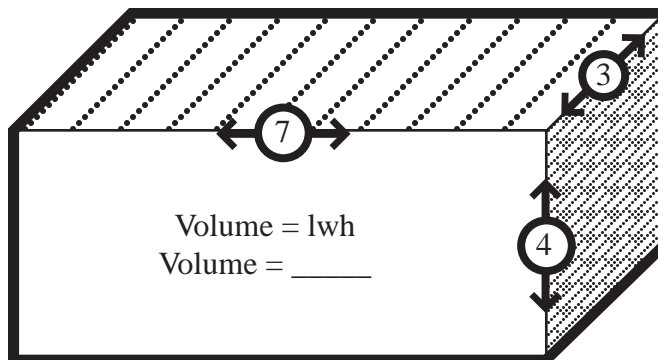


B.



Surface area = ____

C.



Surface area = ____