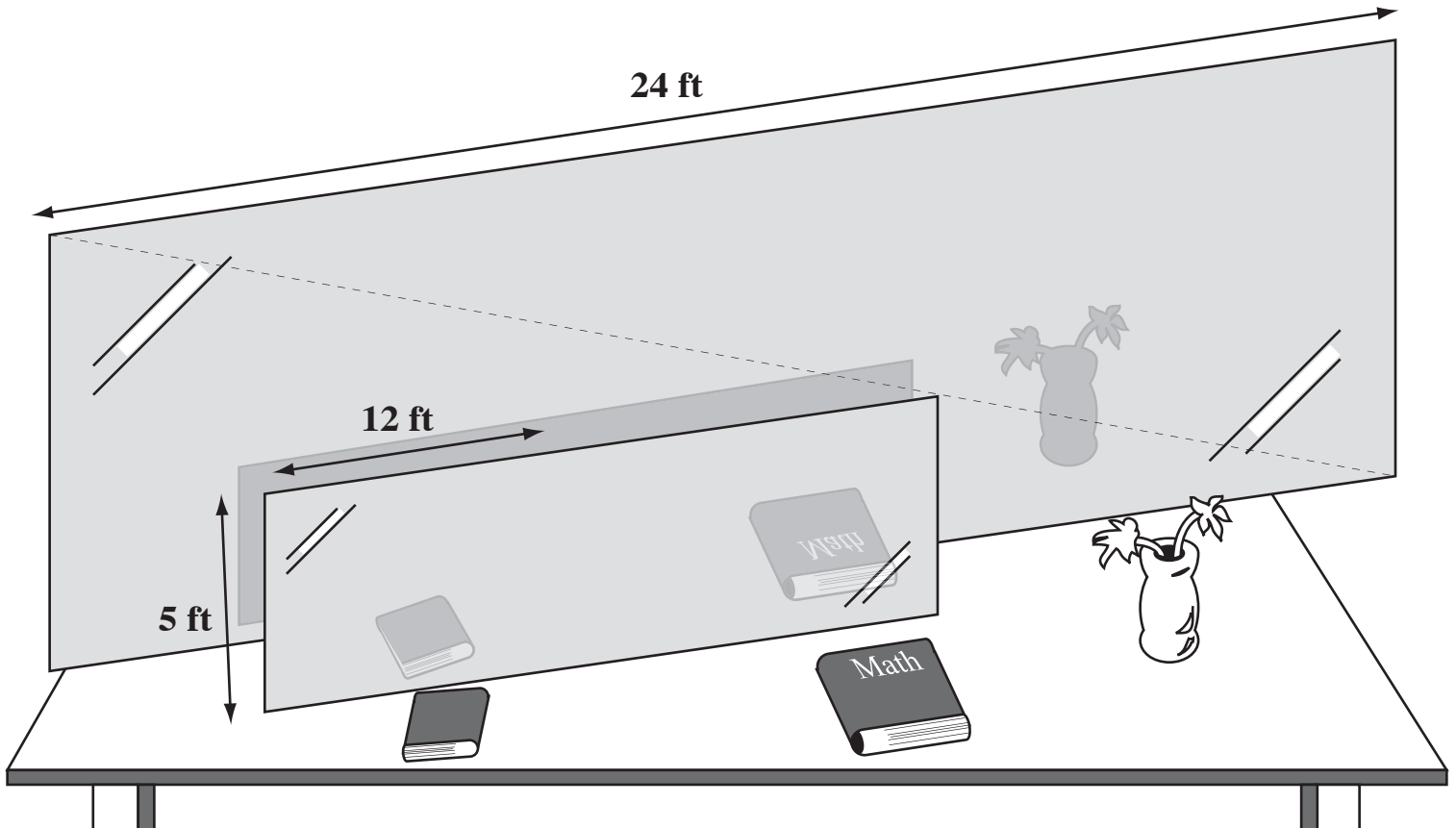


MathFLIX CHALLENGE

Similarity: Assessment

Two large mirrors are sitting on a table. The first mirror is 5 ft long, and 12 ft wide. The second mirror is known to be similar to the first, but the only dimension given is its width of 24 ft. Find the length of the diagonal of the large mirror shown in the diagram.



Use words, symbols or diagrams to solve the problem. Also, explain in words the steps you took to solve the problem and why you took those steps.
